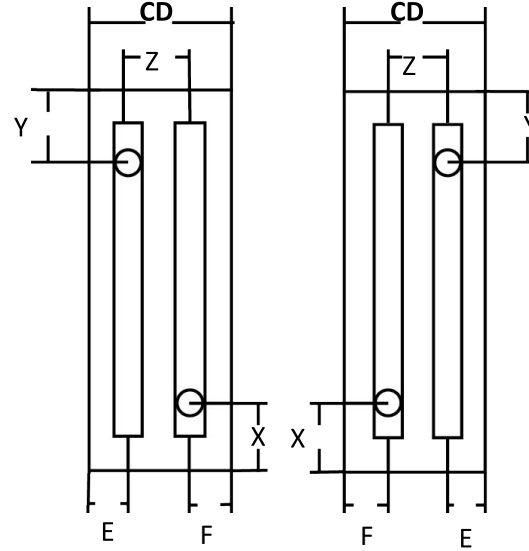
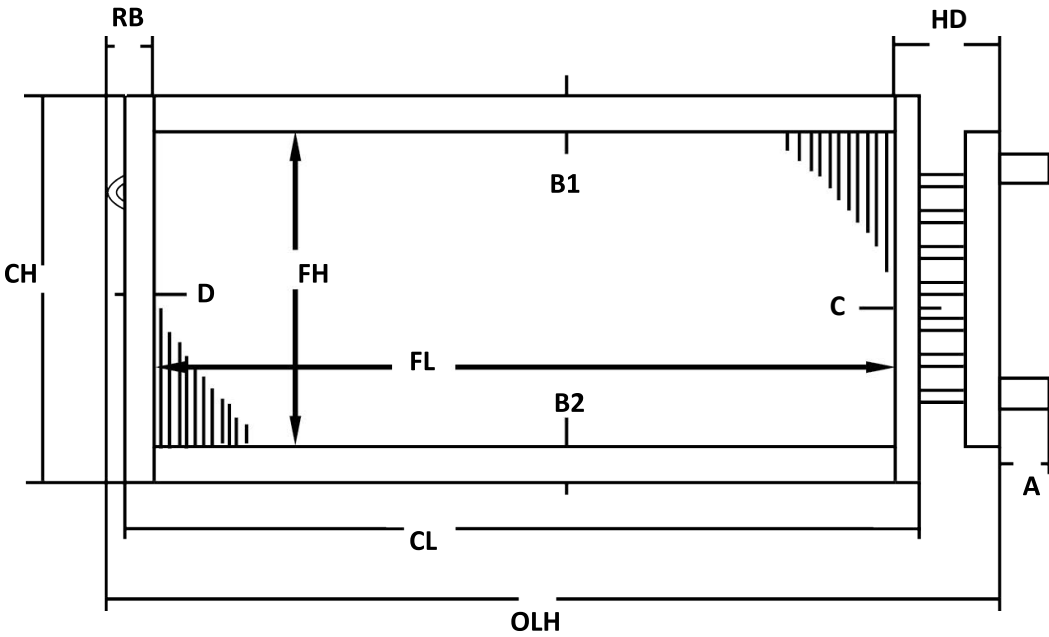




swcoil.com
tomj@swcoil.com
610.580.3004

Water Coil

Coil Dimensions and Specifications: (Please include detail photos of the coils and header sections - if available)



****Circle Header End Matching Your Coil****

Header Material:

Copper
Other _____
Feeds to Header _____

Flange Type:

- Non-Stacking
- Stacking
- Inverted Flange

***Casing Material:
(circle one)**

Galv Steel 16 ga
Stainless Steel 16 ga

*Rows	*FPI	*FH	*FL	CH	CL	CD	OLH	A	B1	B2	C	D	E	F	HD	RB	X	Y	Z

* Asterisk = minimum required for price

Notes:

<p>COPPER</p> <p>* TUBE O.D. TUBE Thick FIN Thick</p> <p><input type="checkbox"/> 3/8" .014 .005</p> <p><input type="checkbox"/> 1/2" .016 .006</p> <p><input type="checkbox"/> 5/8" .020 .006</p> <p>Other _____</p>	<p>*Fin Material:</p> <p>Aluminum (std)</p> <p>Copper</p>	<p>Connection Size:</p> <p>Supply _____</p> <p>Return _____</p>
	<p>Connection Material:</p> <p>Copper</p> <p>Steel</p> <p>Red Brass</p>	<p>Connection Type:</p> <p>SWT MPT FPT</p>

Name:	OEM Unit Model #
Company:	OEM Coil Model #
Phone:	Project:
Email	Tag: