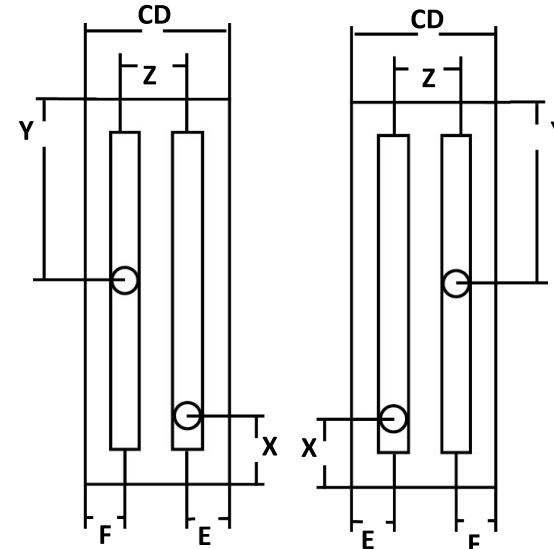
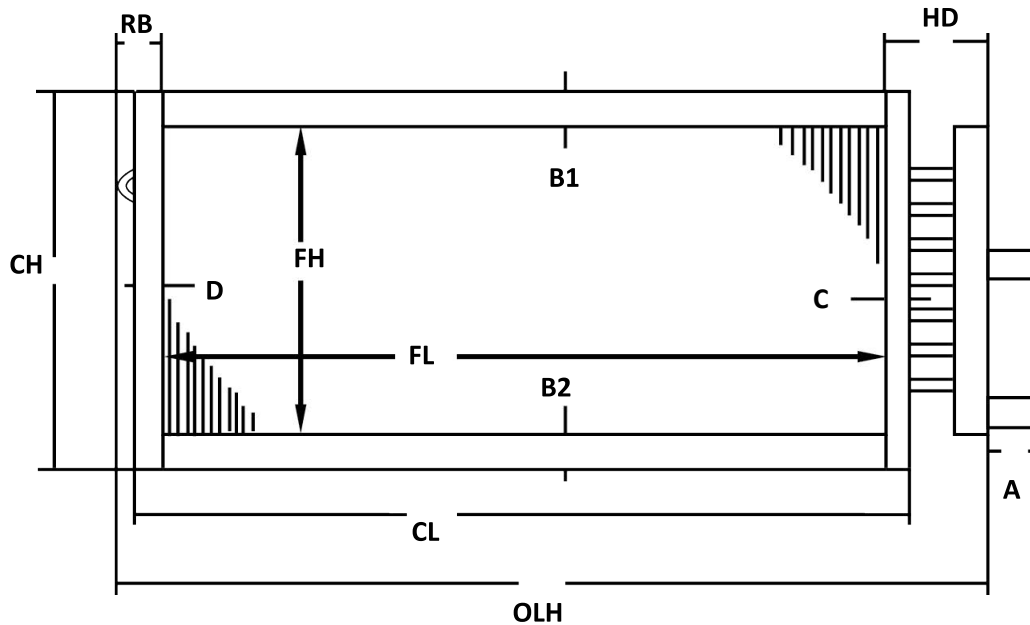


| | |
|----------|------------------|
| Name: | OEM Unit Model # |
| Company: | OEM Coil Model # |
| Phone: | Project: |
| Email | Tag: |

Standard Steam Coil

Coil Dimensions and Specifications: (Please include detail photos of the coils and header sections - if available)



****Circle Header End Matching Your Coil****

Header Material:
 Copper
 Other _____
 # Feeds to Header _____

Flange Type:
 Non-Stacking
 Stacking
 Inverted Flange

***Casing Material: (circle one)**
 Galv Steel 16 ga
 Stainless Steel 16 ga

| *Rows | *FPI | *FH | *FL | CH | CL | CD | OLH | A | B1 | B2 | C | D | E | F | HD | RB | X | Y | Z |
|-------|------|-----|-----|----|----|----|-----|---|----|----|---|---|---|---|----|----|---|---|---|
| | | | | | | | | | | | | | | | | | | | |

* Asterisk = minimum required for price

Notes:

| * COPPER <table border="1"> <tr> <th>TUBE O.D.</th> <th>TUBE Thick</th> <th>FIN Thick</th> </tr> <tr> <td><input type="checkbox"/> 5/8"</td> <td>.025</td> <td>.006</td> </tr> </table> Other _____ | TUBE O.D. | TUBE Thick | FIN Thick | <input type="checkbox"/> 5/8" | .025 | .006 | *Fin Material: Aluminum (std) Copper | Connection Size: Supply _____ Return _____ |
|---|---------------------------------------|------------|-----------|-------------------------------|------|------|---|---|
| | TUBE O.D. | TUBE Thick | FIN Thick | | | | | |
| <input type="checkbox"/> 5/8" | .025 | .006 | | | | | | |
| Connection Material: Copper Steel Red Brass | Connection Type: MPT FPT | | | | | | | |